

# OHM's Law Help Sheet

## Definition

A potential difference of 1 Volt will force a current of 1 Ampere through a resistance of 1 Ohm, or

$$\text{Voltage (V—Volts)} = \text{Current (I—Amps)} \times \text{Resistance (R—Ohms)}$$

or more simply:

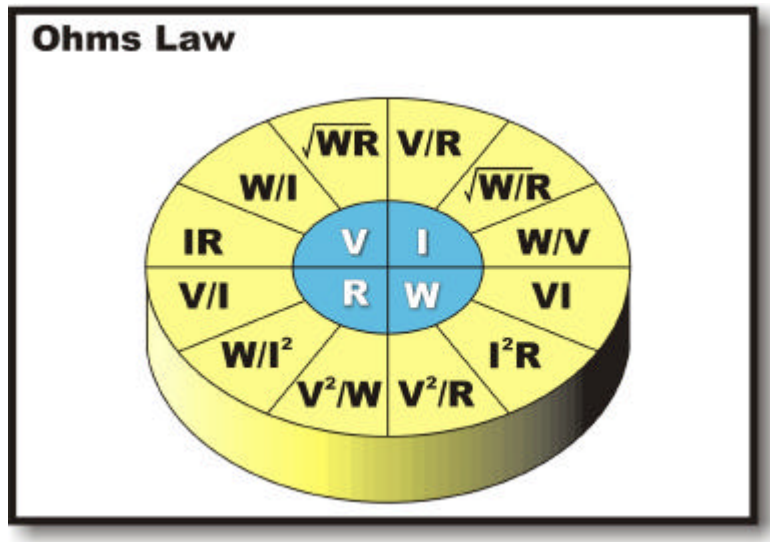
$$V = I \times R$$

$$\text{Power (W-Watts)} = \text{Voltage (V—Volts)} \times \text{Current (I—Amps)}$$

or more simply:

$$W = V \times I$$

The diagram below shows the variations on this formulae.



Examples:

A heater in a tool measures 20 Ohms. Assuming a voltage of 240V, what is the expected wattage of the heater?

$$W = V \times V / R = 240 \times 240 / 20 = 2880W.$$

A controller has a fused output of 15A on a voltage of 240V. What would be the expected maximum output wattage of the controller?

$$W = V \times I = 240 \times 15 = 3600W.$$

A 24V tip is rated at 250W. What would the expected current demand be?

$$W = V \times I, \text{ or } I = W / V = 250 / 24 = 10.42A$$

If the connecting cable to the 24V tip is rated at 0.1R per meter and is 3m long, how much heat will be dissipated by the cable?

$$\text{Total R of cable} = 3 \times 0.1R = 0.3R. W = I^2 \times R = 10.42 \times 10.42 \times 0.3 = 32.57W \text{ per cable.}$$

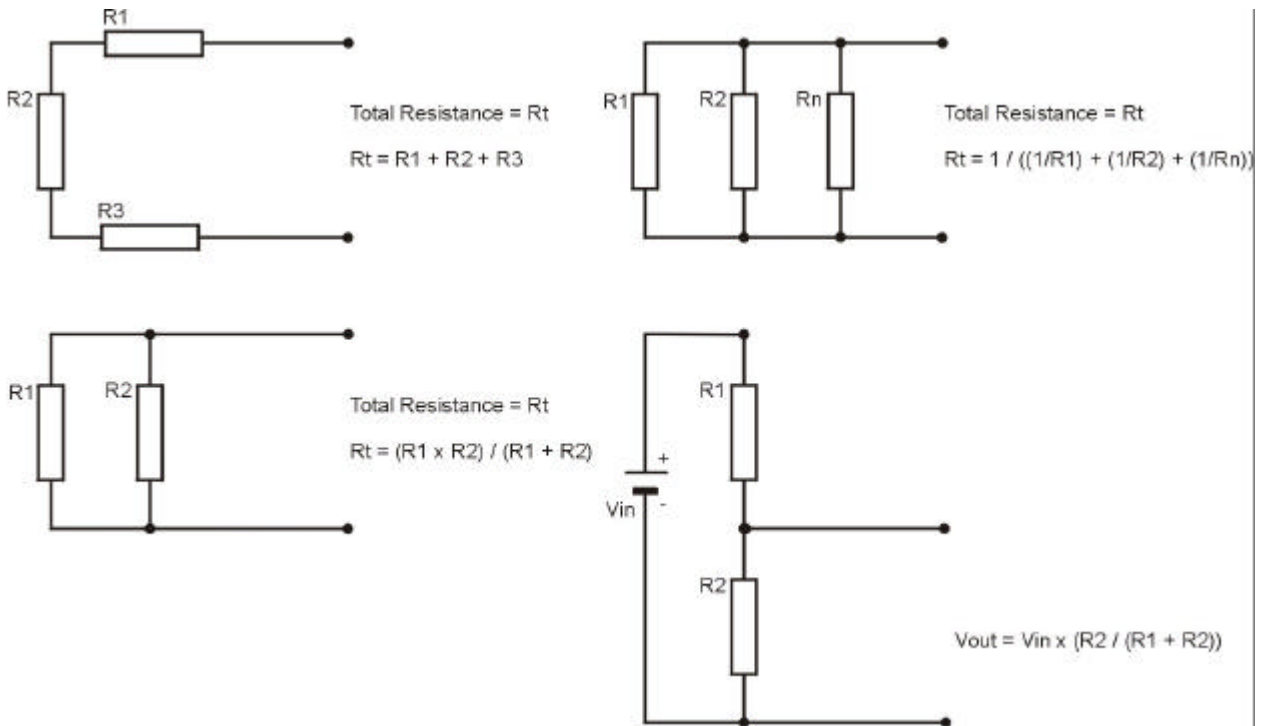
If the system is changed to a 240V tip, all other parameters remaining the same, what will be the current demand be and how much heat will be dissipated by the cable?

$$I = W / V = 250 / 240 = 1.042A$$

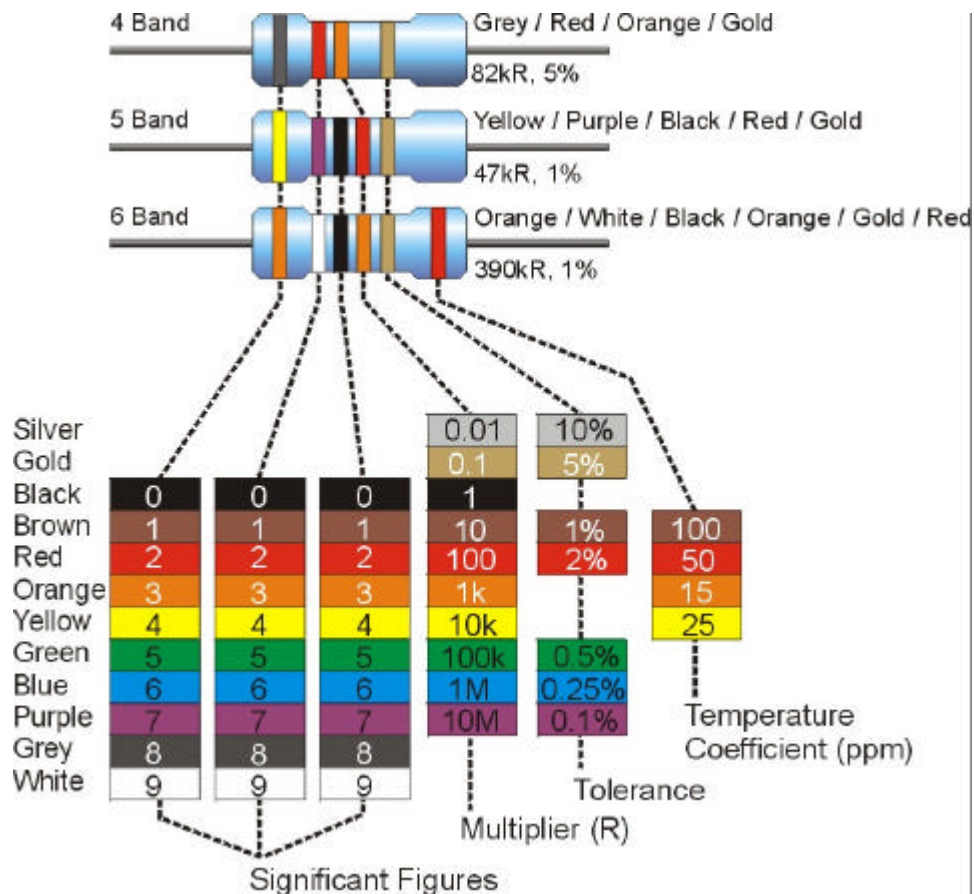
$$\text{Total R of cable} = 3 \times 0.1R = 0.3R. W = I^2 \times R = 1.042 \times 1.042 \times 0.3 = 0.323W \text{ per cable.}$$

# OHM's Law Help Sheet

## Resistor Networks



## Resistor Colour Code



# Resistance / Wattage / Amperage Chart

For any given resistance measurement, the table below shows the expected wattage and current load based on a 240V ac system. Please note that this table is provided as a 'rule of thumb' and the values shown are rounded for simplicity. It will also be necessary to take into consideration the resistance of the cables when measuring loads with a high wattage.

Ohms	Watts	Amps
1	57,600	240
2	28,800	120
3	19,200	80
4	14,400	60
5	11,520	48
6	9,600	40
7	8,230	34
8	7,200	30
9	6,400	27
10	5,760	24

Ohms	Watts	Amps
11	5,236	22
12	4,800	20
13	4,430	19
14	4,114	17
15	3,840	16
16	3,600	15
17	3,388	14
18	3,200	13.3
19	3,030	12.6
20	2,880	12

Ohms	Watts	Amps
21	2,743	11.4
22	2,618	10.9
23	2,504	10.4
24	2,400	10.0
25	2,303	9.6
26	2,215	9.2
27	2,133	8.9
28	2,057	8.6
29	1,986	8.3
30	1,920	8.0

31	1,858	7.7
32	1,800	7.5
33	1,745	7.3
34	1,694	7.0
35	1,646	6.9
36	1,600	6.7
37	1,557	6.5
38	1,516	6.3
39	1,477	6.1
40	1,440	6.0

41	1,405	5.85
42	1,371	5.71
43	1,340	5.58
44	1,309	5.45
45	1,280	5.33
46	1,252	5.22
47	1,225	5.11
48	1,200	5.00
49	1,175	4.90
50	1,152	4.80

55	1,047	4.4
60	960	4.0
65	886	3.7
70	823	3.4
75	768	3.2
80	720	3.0
85	678	2.8
90	640	2.7
95	606	2.5
100	576	2.4

110	524	2.2
120	480	2.0
130	443	1.8
140	411	1.7
150	384	1.6
160	360	1.5
170	339	1.4
180	320	1.3
190	303	1.3
200	288	1.2

220	262	1.1
240	240	1.0
260	221	0.9
280	206	0.85
300	192	0.8
320	180	0.75
340	169	0.7
360	160	0.67
380	152	0.63
400	144	0.6

231	250	1.04
144	400	1.67
115	500	2.08
58	1000	4.17
38	1500	6.25
29	2000	8.33
23	2500	10.4
19	3000	12.5
14	4000	16.7
11.5	5000	20.8